



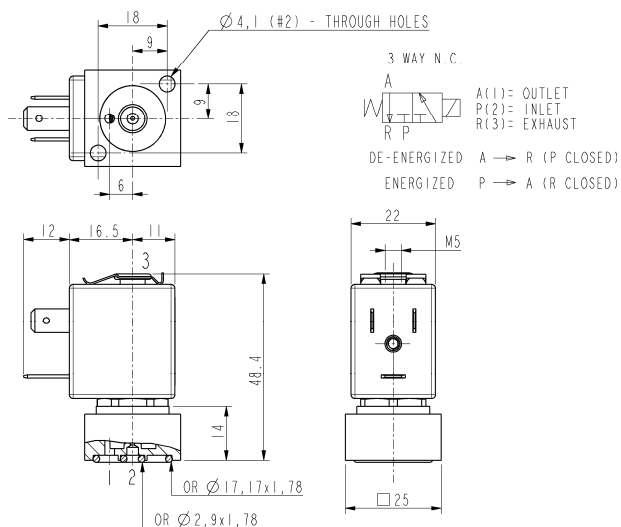
# SOLENOID VALVE

## 3/2- NC (Normally closed) - 3/2 NO (Normally open)

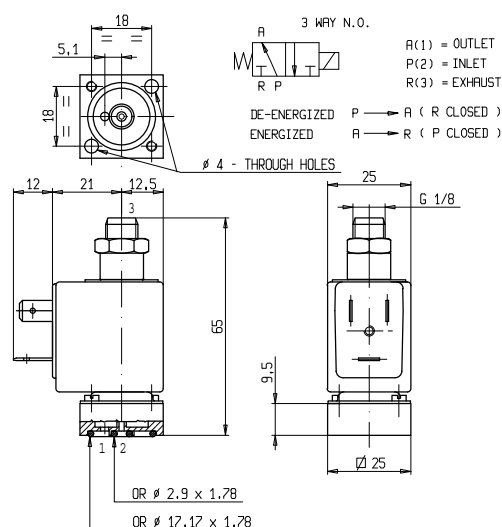
### Direct acting Sub-base mounting

# L330

**L330V09C**



**L330V03A**



**► GENERAL FEATURES**

Direct acting solenoid valve, designed for sub-base mounting or directly on the equipment.  
 Suitable for pneumatic and hydraulic circuits and particularly to operate single-acting cylinders.  
 Valve delivered with sealing O-ring.  
 Suitable to shut off liquid and gaseous fluids (verify the compatibility of fluid with material in contact)

**► TECHNICAL FEATURES**

*Maximum allowable pressure (PS)* 30bar  
*Opening time* ~10ms (L330V09C)  
 ~15ms (L330V03A)  
*Closing time* ~10ms (L330V09C)  
 ~15ms (L330V03A)  
*Fluid temperature* 0°C +130°C  
*Max viscosity* 5°E (~37 cStokes or mm<sup>2</sup>/s)

**► MATERIALS IN CONTACT WITH FLUID**

*Body* Brass  
*Sealing* FPM  
*Internal components* Stainless steel  
*Seat* Brass  
*Core tube* Stainless steel  
*Shading coil* Copper

**► COIL**

*Continuous duty* ED 100%  
*Encapsulation material* PET (polyethylene terephthalate) fiberglass reinforced  
*Insulation class* F (155°C)  
*Ambient temperature* -10°C +60°C  
*Electric connection* DIN 46340 - 3 poles plug connectors  
 IP 67 (EN 60529) with plug connectors (L330V09C)  
 IP 65 (EN 60529) with plug connectors (L330V03A)  
*Protection degree*  
*Voltages* DC 12-24V (+10% -5%)  
 AC 24V/50-60Hz - 110V/50-60Hz (120V/60Hz)  
 230V/50-60Hz (+10% -15%)  
 (Other voltages and frequencies on request).

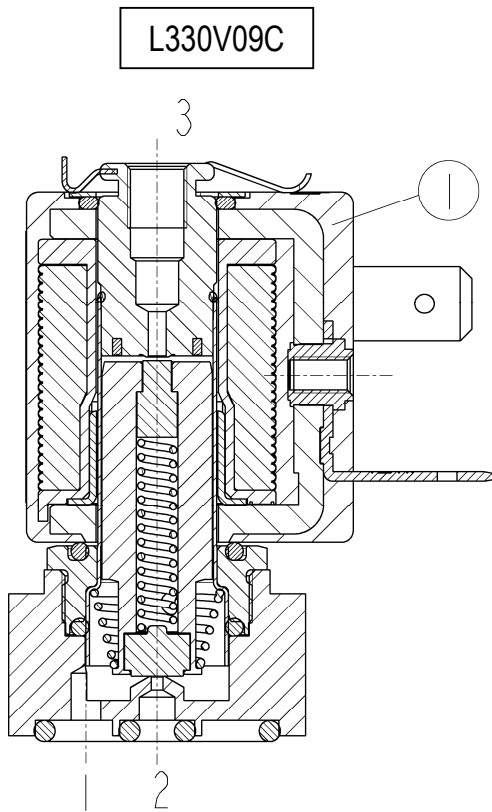
Port size	Orifice size (mm)	Differential pressure (bar)				Kv (m <sup>3</sup> /h)		Series and type		Power absorption				Sealings	Notes	Weight (kg)	
		Δp min	Δp max					Valve	Coil	AC			DC				
			Gases		Liquids					Inrush	Holding	W					
			AC	DC	AC												DC
-	1	0	15	15	15	15	0,04	0,07	L330V09C	ZB12A	12	6	4	5,5	FPM	1-NC	0,120
	1,6		13	8	10	4	0,07	0,04	L330V03A	Z610A	18,5	11,5	7,5	6		2-NO	0,150

**► NOTES**

- Sealings: FPM = Fluoro-carbon elastomer
- 1 - Upper exhaust (3) with orifice diameter 1,5mm
- 2 - In case of disassembling of the coil, the fixing bolt has to be tightened at 3 Nm max. torque.

# L330

## ► SPARE PARTS

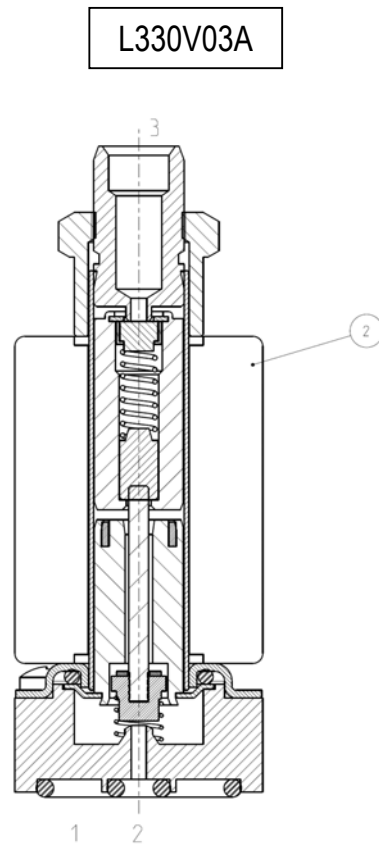


### Kit description

Coil

### Kit P.N.

ZB12A  
Z610A



### Consisting of:

Coil pos.1  
Coil pos.2

## ► INSTALLATION

- Solenoid valve can be mounted in any position; vertical with coil upwards preferred.

THE VALIDITY OF REPORTED DATA IS REFERRED TO THE DATE OF ISSUE. POSSIBLE UPDATES ARE AVAILABLE ON REQUEST.