

# ASCO™ Solenoid Valves

For High Pressure Fluids

Direct Operated, 1/8" or 1/4" tapped, 15 mm Compression Fittings

2/2 NC-NO

Series

**262**

## Features and Benefits

- High operating pressure
- RoHS compliance
- AC/DC interchangeability of the coil possible only for NC (10.1 W/1.6 W and 17.1 W/22.6 W)
- Valves do not require a minimum operating pressure
- Large selection of seal materials providing wide chemical compatibility
- Compliance with UL and CSA standards
- The solenoid valves satisfy all relevant EU directives

## General

**Differential pressure** See «SPECIFICATIONS» [1 bar = 100 kPa]

**Maximum viscosity** 65 cSt (mm<sup>2</sup>/s)

**Response time** 5 - 25 ms

Fluids (*)	Temperature range (TS)	Seal materials (*)
air, inert gas, water, oil	-25°C to +80°C	NBR (nitrile)
	0°C to +60°C	UR (cast urethane)

## Materials in contact with fluid

(\*) Ensure that the compatibility of the fluids in contact with the materials is verified

**Body** Brass or Stainless steel, AISI 304

**Shading coil** Copper or Silver

**Core tube** Stainless steel, AISI 305

**Core and plugnut** Stainless steel, AISI 430F

**Springs** Stainless steel, AISI 302

**Seal** NBR

**Disc** NBR or UR

**Disc holder (NO function)** PA

## Electrical characteristics

**Coil insulation class** F (AC) or H (DC)

**Connector** Spade plug (cable Ø 6-10 mm)

**Connector specification** ISO 4400 / EN 175301-803, form A

**Electrical safety** IEC 335

**Electrical enclosure protection** Moulded IP65 (EN 60529)

**Standard voltages** DC (=) : 24V - 48V

(Other voltages and 60 Hz on request) AC (~) : 24V - 48V - 115V - 230V/50 Hz

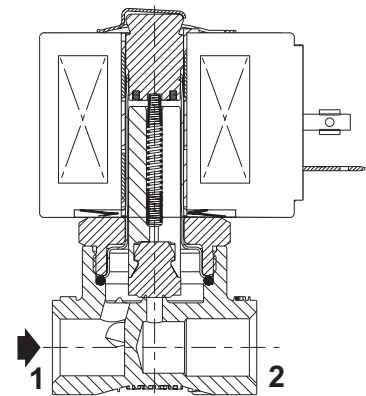
Operator ambient temperature range (TS)	Power ratings				Replacement coil <sup>(1)</sup>	
	Inrush ~	Holding ~		Hot/cold =	~	=
(°C)	(VA)	(VA)	(W)	(W)	230 V/50 Hz	24 V DC
-25 to +55	30	16	8.1	7.7/10.6	238213-059	238513-006
	45	20	11.1	12.5/18.6	238213-157	238513-106
	50	25	10.1	8.5/11.6	238613-059	238913-006
	70	40	17.1	15.1/22.6	238613-159	238913-106

<sup>(1)</sup> All 238 basic numbers are UL & CSA approved and marked with the UR (recognised component) and CSA logos.

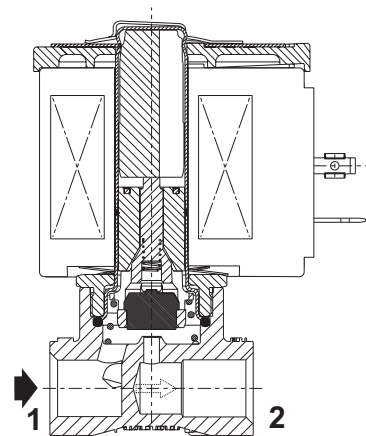
## Options

- Seals and disc (\*) <sup>(2)</sup> (fluid temperature range)
  - FPM (fluoroelastomer):
    - 15°C to +100°C (coil class F)
    - 15°C to +120°C (coil class H)
  - EPDM (ethylene-propylene), 0°C to +100°C
  - CR (chloroprene), 0°C to +80°C
  - PTFE: -15°C to +100°C (coil class F)
  - 15°C to +120°C (coil class H)
- Oxygen service, FPM disc and seals, see "PRODUCT CODE"
- WRAS approval, EPDM disc and seals, see "PRODUCT CODE"
- Magnetic latching versions, reverse polarity DC voltages, see "PRODUCT CODE FOR MAGNETIC LATCHING VERSION ONLY"
- 15 mm compression-fitting body, supplied with nut and olive, see "PRODUCT CODE"
- Connector with visual indication and peak voltage suppression or with cable length of 2 m
- Explosionproof enclosures for use in zones 1/21-2/22, categories 2-3 to ATEX Directive 2014/34/EU (See page: 4)

<sup>(2)</sup> The minimum ambient temperature of the solenoid valve is determined by the limitations of minimum temperature indicated.



NC function



NO function

**Specifications**

														PRODUCT CODE								
Pipe size	Orifice size	Flow coefficient Kv			Operating pressure differential (bar)						Power coil (W)		Thread type	Dimensions / type (1)	Brass	Stainless steel	Voltage code					
					Min.	Max. (PS)											24 V/50 Hz	48 V/50 Hz	115 V/50 Hz	230 V/50 Hz	24 V/DC	48 V/DC
		(mm)	(m³/h)	(l/min)		Air (*)		Water (*)		Oil (*)		~										
<b>Without manual operator</b>																						
<b>NC - Normally closed, NBR seal and disc</b>																						
1/8"	1.2	0.05	0.8	0	51	51	51	41	50	34	8.1	10.6	G	01	G262K001S1N00	-						
					51	51	51	41	50	34	8.1	10.6	NPT	01	-	8262K012S1N00						
	2.4	0.18	3	0	25	14	22	10	13	10	8.1	10.6	G	01	G262K014S1N00	-						
					25	14	22	10	13	10	8.1	10.6	NPT	01	-	8262K015S1N00						
	3.2	0.3	5	0	12	8	12	6.5	8	6	8.1	10.6	G	01	G262K002S1N00	-						
					12	8	12	6.5	8	6	8.1	10.6	NPT	01	-	8262K006S1N00						
3.2	0.3	5	0	18	10	17	8	13	8	11.1	18.6	G	01	G262K016S1N00	-							
				18	10	17	8	13	8	11.1	18.6	NPT	01	-	8262K006S1N00							
1/4"	1.2	0.05	0.8	0	103	68	103	66	103	58	10.1	11.6	G*	02	E262K200S1W00 (2)	-						
					151	68	151	66	117	58	10.1	11.6	G*	02	-	E262K214S1W00 (2)						
					151	68	151	66	117	58	10.1	11.6	NPT	02	-	8262K214S1W00 (2)						
					51	51	51	41	50	34	8.1	10.6	G*	01	E262K019S1N00	-						
					51	51	51	41	50	34	8.1	10.6	NPT	01	-	8262K080S1N00						
					51	51	51	41	50	34	8.1	10.6	G*	01	E262K020S1N00	-						
	2.4	0.18	3	0	25	14	22	10	11	10	8.1	10.6	G*	01	E262K020S1N00	-						
					25	14	22	10	11	10	8.1	10.6	NPT	01	-	8262K086S1N00						
					34	19	24	13	18	13	11.1	18.6	G*	01	E262K021S1N00	-						
					34	19	24	13	18	13	11.1	18.6	NPT	01	-	8262K086S1N00						
					40	16	28	16	28	15	10.1	11.6	G*	02	E262K108S1N00	E262K182S1N00						
					40	16	28	16	28	15	10.1	11.6	NPT	02	-	8262K182S1N00						
	3.2	0.3	5	0	49	41	28	28	28	27	17.1	22.6	G*	02	E262K109S1N00	E262K183S1N00						
					49	41	28	28	28	27	17.1	22.6	NPT	02	-	8262K183S1N00						
					12	8	12	6.5	6	5.5	8.1	10.6	G*	01	E262K022S1N00	-						
					12	8	12	6.5	6	5.5	8.1	10.6	NPT	01	-	8262K007S1N00						
					18	10	17	8	10	7.5	11.1	18.6	G*	01	E262K023S1N00	-						
					18	10	17	8	10	7.5	11.1	18.6	NPT	01	-	8262K007S1N00						
4	0.45	7.5	0	23	7.5	20	7	14	6.5	10.1	11.6	G*	02	E262K232S1N00	E262K184S1N00							
				23	7.5	20	7	14	6.5	10.1	11.6	NPT	02	-	8262K184S1N00							
				34	17	26	17	24	15	17.1	22.6	G*	02	E262K110S1N00	E262K185S1N00							
				34	17	26	17	24	15	17.1	22.6	NPT	02	-	8262K185S1N00							
				7	5	7	4	4	4	8.1	10.6	G	01	E262K111S1N00	E262K186S1N00							
				7	5	7	4	4	4	8.1	10.6	NPT	01	-	8262K186S1N00							
5.6	0.63	10.5	0	14	3.5	13	3.5	10	3.5	10.1	11.6	G*	02	E262K202S1N00	E262K220S1N00							
				14	3.5	13	3.5	10	3.5	10.1	11.6	NPT	02	-	8262K220S1N00							
				20	7.5	14	7.5	14	7.5	17.1	22.6	G*	02	E262K112S1N00	E262K187S1N00							
				20	7.5	14	7.5	14	7.5	17.1	22.6	NPT	02	-	8262K187S1N00							
				6.5	2	6.5	2	6.5	2	10.1	11.6	G*	02	E262K208S1N00	E262K226S1N00							
				6.5	2	6.5	2	6.5	2	10.1	11.6	NPT	02	-	8262K226S1N00							
7.1	0.76	12.7	0	8.5	4	8.5	4	8.5	4	17.1	22.6	G*	02	E262K114S1N00	E262K188S1N00							
				8.5	4	8.5	4	8.5	4	17.1	22.6	NPT	02	-	8262K188S1N00							
				3.5	2	3.5	2	2.5	1.9	8.1	10.6	G*	01	E262K013S1N00	-							
				3.5	2	3.5	2	2.5	1.9	8.1	10.6	NPT	01	-	8262K036S1N00							
				2	1.6	2	1.5	2	1.3	8.1	10.6	G*	01	E262K090S1N00	-							
				2	1.6	2	1.5	2	1.3	8.1	10.6	NPT	01	-	8262K038S1N00							
7.1	0.76	12.7	0	4	1.5	5	1.5	4	1.3	10.1	11.6	G*	02	E262K210S1N00	E262K189S1N00							
				4	1.5	5	1.5	4	1.3	10.1	11.6	NPT	02	-	8262K189S1N00							
				6	3	6	3	6	3	17.1	22.6	G*	02	E262K212S1N00	E262K230S1N00							
6	3	6	3	6	3	17.1	22.6	NPT	02	-	8262K230S1N00											

(1) For dimensions, see drawing(s) for each construction type on the following page(s).  
(\*) Ensure that compatibility of materials in contact with fluids is verified.

(2) UR disc only, fluid temperature 0°C to +60°C, no other elastomer can be used.

**Specifications**

														PRODUCT CODE								
Pipe size	Orifice size	Flow coefficient Kv			Operating pressure differential (bar)						Power coil (W)		Thread type	Dimensions / type (1)	Brass	Stainless steel	Voltage code					
					Min.	Max. (PS)											24 V/50 Hz	48 V/50 Hz	115 V/50 Hz	230 V/50 Hz	24 V/DC	48 V/DC
		(mm)	(m³/h)	(l/min)		Air (*)	Water (*)	Oil (*)	~	=	~	=										
<b>Without manual operator</b>																						
<b>NO - Normally open, NBR seal and disc</b>																						
1/8"	1.2	0.05	0.8	0	79	44	62	33	55	22	10.1	11.6	G 02	G262K155S1W00 <sup>(2)</sup>	G262K168S1W00 <sup>(2)</sup>	FL	FR	FT	F8	H1	H9	
					51	44	51	38	51	27	10.1	11.6	NPT 02	-	8262K168S1W00 <sup>(2)</sup>							
	2.4	0.18	3	0	18	11	15	9	12	6.5	10.1	11.6	G 02	G262K128S1N00	G262K236S1N00							
					18	11	15	9	12	6.5	10.1	11.6	NPT 02	-	8262K236S1N00							
	3.2	0.3	5	0	11	6.5	10	6.5	8.5	4.5	10.1	11.6	G 02	G262K129S1N00	G262K237S1N00							
					11	6.5	10	6.5	8.5	4.5	10.1	11.6	NPT 02	-	8262K237S1N00							
1/4"	1.2	0.05	0.8	0	79	44	62	33	55	22	10.1	11.6	G* 02	E262K161S1W00 <sup>(2)</sup>	E262K199S1W00 <sup>(2)</sup>							
					51	44	51	38	51	27	10.1	11.6	NPT 02	-	8262K199S1W00 <sup>(2)</sup>							
	2.4	0.18	3	0	18	11	15	9	12	6.5	10.1	11.6	G* 02	E262K260S1N00	E262K130S1N00							
					18	11	15	9	12	6.5	10.1	11.6	NPT 02	-	8262K130S1N00							
	3.2	0.3	5	0	11	6.5	10	6.5	8.5	4.5	10.1	11.6	G* 02	E262K261S1N00	E262K134S1N00							
					11	6.5	10	6.5	8.5	4.5	10.1	11.6	NPT 02	-	8262K134S1N00							
4	0.47	7.8	0	6	4	6	3.5	4.5	3	10.1	11.6	G* 02	E262K262S1N00	E262K138S1N00								
				6	4	6	3.5	4.5	3	10.1	11.6	NPT 02	-	8262K138S1N00								
5.6	0.72	12	0	3	2	3	1.7	2.5	1.7	10.1	11.6	G* 02	E262K263S1N00	E262K142S1N00								
				3	2	3	1.7	2.5	1.7	10.1	11.6	NPT 02	-	8262K142S1N00								
7.1	0.83	13.8	0	2	1.3	2	1.1	2	1.1	10.1	11.6	G* 02	E262K264S1N00	E262K148S1N00								
				2	1.3	2	1.1	2	1.1	10.1	11.6	NPT 02	-	8262K148S1N00								
<b>With maintained manual operator</b>																						
<b>NC - Normally closed, NBR seal and disc</b>																						
1/4"	2.4	0.18	3	0	40	16	28	16	28	15	10.1	11.6	G* 02	E262K108S1N01	E262K182S1N01							
					49	41	28	28	28	27	17.1	22.6	NPT 02	-	8262K182S1N01							
	3.2	0.3	5	0	23	7.5	20	7	14	6.5	10.1	11.6	G* 02	E262K109S1N01	E262K183S1N01							
					34	17	26	17	24	15	17.1	22.6	NPT 02	-	8262K183S1N01							
	4	0.45	7.5	0	14	3.5	13	3.5	10	3.5	10.1	11.6	G* 02	E262K232S1N01	E262K184S1N01							
					20	7.5	14	7.5	14	7.5	17.1	22.6	NPT 02	-	8262K184S1N01							
	5.6	0.63	10.5	0	6.5	2	6.5	2	6.5	2	10.1	11.6	G* 02	E262K110S1N01	E262K185S1N01							
					8.5	4	8.5	4	8.5	4	17.1	22.6	NPT 02	-	8262K185S1N01							
	7.1	0.76	12.7	0	4	1.5	5	1.5	4	1.3	10.1	11.6	G* 02	E262K202S1N01	E262K220S1N01							
					6	3	6	3	6	3	17.1	22.6	NPT 02	-	8262K220S1N01							
					6.5	2	6.5	2	6.5	2	10.1	11.6	G* 02	E262K112S1N01	E262K187S1N01							
					8.5	4	8.5	4	8.5	4	17.1	22.6	NPT 02	-	8262K187S1N01							
					6.5	2	6.5	2	6.5	2	10.1	11.6	G* 02	E262K208S1N01	E262K226S1N01							
					8.5	4	8.5	4	8.5	4	17.1	22.6	NPT 02	-	8262K226S1N01							
					4	1.5	5	1.5	4	1.3	10.1	11.6	G* 02	E262K114S1N01	E262K188S1N01							
					6	3	6	3	6	3	17.1	22.6	NPT 02	-	8262K188S1N01							
					4	1.5	5	1.5	4	1.3	10.1	11.6	G* 02	E262K189S1N01	E262K189S1N01							
					6	3	6	3	6	3	17.1	22.6	NPT 02	-	8262K189S1N01							
				4	1.5	5	1.5	4	1.3	10.1	11.6	G* 02	E262K210S1N01	E262K230S1N01								
				6	3	6	3	6	3	17.1	22.6	NPT 02	-	8262K230S1N01								

(1) For dimensions, see drawing(s) for each construction type on the following page(s).  
 (\*) Ensure that compatibility of materials in contact with fluids is verified.

(2) UR disc only, fluid temperature 0°C to +60°C, no other elastomer can be used.

00167CB-2022/R01  
Availability, design and specifications are subject to change without notice. All rights reserved.

Configurator - CAD Files

**PRODUCT CODE**  
**G 262 K 001 S1 N00 H1**

**Thread connection**

- G** = ISO 228/1 (1/8)
- E** = ISO 228/1 and ISO 7/1 (combination thread, G\*)
- 8** = NPT (SAE 71051)
- H** = 15 mm compression fittings<sup>(1)</sup>

**Product series**  
**262**

- Revision letter**  
**K** = Initial release

**Valves version**

**Electrical interface and explosion proof options**

- S1** = With spade plug connector
- FN** = Aluminium enclosure, 1/2 NPT conduit, IECEx/ATEX  
II 2G Ex db IIC Gb / II 2D Ex tb IIIC Db, zone 1-21 (equivalent to NF prefix)<sup>(3)</sup>
- FT** = Aluminium enclosure, 20 mm conduit, IECEx/ATEX  
II 2G Ex db IIC Gb / II 2D Ex tb IIIC Db, zone 1-21 (equivalent to NFET prefix)<sup>(3)</sup>
- FS** = AISI 316L enclosure, 1/2 NPT conduit, IECEx/ATEX  
II 2G Ex db IIC Gb / II 2D Ex tb IIIC Db, zone 1-21 (equivalent to WSNF prefix)<sup>(3)</sup>
- FU** = AISI 316L enclosure, 20 mm conduit, IECEx/ATEX  
II 2G Ex db IIC Gb / II 2D Ex tb IIIC Db, zone 1-21 (equivalent to WSNFET prefix)<sup>(3)</sup>
- MV** = Steel enclosure, M20 cable gland, IECEx/ATEX  
II 2G Ex eb mb IIC Gb/II2D Ex tb IIIC Db, zone 1-21 (equivalent to EM prefix)<sup>(3)</sup>
- MT** = Steel enclosure, 20 mm conduit, IECEx/ATEX  
II 2G Ex eb mb IIC Gb/II2D Ex tb IIIC Db, zone 1-21 (equivalent to EMET prefix)<sup>(3)</sup>
- MN** = Steel enclosure, 1/2 NPT conduit, IECEx/ATEX  
II 2G Ex eb mb IIC Gb/II2D Ex tb IIIC Db, zone 1-21 (equivalent to EMT prefix)<sup>(3)</sup>
- MW** = AISI 316 enclosure, M20 cable gland, IECEx/ATEX  
II 2G Ex eb mb IIC Gb/II2D Ex tb IIIC Db, zone 1-21 (equivalent to WSEM prefix)<sup>(3)</sup>
- MU** = AISI 316 enclosure, 20 mm conduit, IECEx/ATEX  
II 2G Ex eb mb IIC Gb/II2D Ex tb IIIC Db, zone 1-21 (equivalent to WSEMET prefix)<sup>(3)</sup>
- MS** = AISI 316 enclosure, 1/2 NPT conduit, IECEx/ATEX  
II 2G Ex eb mb IIC Gb/II2D Ex tb IIIC Db, zone 1-21 (equivalent to WSEMT prefix)<sup>(3)</sup>
- A7** = Moulded enclosure, epoxy encapsulated, integrated cable, IECEx/ATEX  
II 2G Ex mb IIC Gb / II 2D Ex mb IIIC Db, zone 1-21 (equivalent to PV prefix)<sup>(3)</sup>
- SG** = Moulded coil with connector, epoxy encapsulated, ATEX  
II 3GD Ex ec IIC Gc / II 3GD Ex tc IIIC Dc, zone 22 (equivalent to SG prefix)<sup>(3)(4)</sup>

**Voltage - class**

- FL** = 24 V / 50 Hz - class F
- FR** = 48 V / 50 Hz - class F
- FT** = 115 V / 50 Hz - class F
- F8** = 230 V / 50 Hz - class F
- H1** = 24 V DC - class H
- H9** = 48 V DC - class H

**Options**

**Without manual operator**

- N00** = NBR disc and seals
- V00** = FPM disc and seals
- VNO** = FPM disc and seals for Oxygen service
- EMO** = EPDM disc and seals, WRAS approved<sup>(1)</sup>
- E00** = EPDM disc and seals
- J00** = CR disc and seals
- T00** = PTFE disc and seals<sup>(2)</sup>

**With maintained manual operator**

- N01** = NBR disc and seals
- V01** = FPM disc and seals
- VN1** = FPM disc and seals for Oxygen service
- E01** = EPDM disc and seals
- J01** = CR disc and seals

<sup>(1)</sup> Check the online configurator for available versions on Emerson.com/ASCO

<sup>(2)</sup> Max. operating pressure limited to 75% of standard value.

<sup>(3)</sup> Search prefix in Emerson.com/ASCO to get detailed technical information.

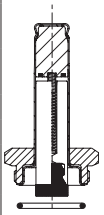
Please note that the valve pressure ratings with some of the ATEX enclosures will be reduced.

To obtain the correct pressure rating please check the landing pages of the "2-Way Solenoid Valve DIN Configurator".

<sup>(4)</sup> Coils class F only.

		Spare parts kits no. (*)																
		AC (~)								DC (=)								
		NBR	FPM	FPM (oxygen)	EPDM	EPDM (+WRAS)	CR	PTFE	NBR + UR	NBR	FPM	FPM (oxygen)	EPDM	EPDM (+WRAS)	CR	PTFE	NBR + UR	
E262K013/019/020/021/022/023/090	M200001	N00	V00	VN0	E00	EM0	J00	T00	-	M200005	N00	V00	VN0	E00	EM0	J00	T00	-
E262K08/109/110/112/114	M200007	N00	V00	VN0	E00	EM0	J00	T00	-	M200007	N00	V00	VN0	E00	EM0	J00	T00	-
E262K130	M200017	N00	V00	VN0	E00	EM0	J00	T00	-	M200033	N00	V00	VN0	E00	EM0	J00	T00	-
E262K134	M200018	N00	V00	VN0	E00	EM0	J00	T00	-	M200033	N00	V00	VN0	E00	EM0	J00	T00	-
E262K138/142/148/152	M200018	N00	V00	VN0	E00	EM0	J00	T00	-	M200034	N00	V00	VN0	E00	EM0	J00	T00	-
E262K161	M200021	-	-	-	-	-	-	-	W00	-	-	-	-	-	-	-	-	-
E262K182/183/184/185/187/188/189	M200008	N00	V00	VN0	E00	EM0	J00	-	-	M200008	N00	V00	VN0	E00	EM0	J00	-	-
E262K200	M200007	-	-	-	-	-	-	-	W00	M200007	-	-	-	-	-	-	-	W00
E262K202/208/210/212	M200007	N00	V00	VN0	E00	EM0	J00	T00	-	M200007	N00	V00	VN0	E00	EM0	J00	T00	-
E262K214	M200008	-	-	-	-	-	-	-	W00	M200008	-	-	-	-	-	-	-	W00
E262K220/226/230	M200008	N00	V00	VN0	E00	EM0	J00	-	-	M200008	N00	V00	VN0	E00	EM0	J00	-	-
E262K232	M200007	N00	V00	VN0	E00	EM0	J00	T00	-	M200007	N00	V00	VN0	E00	EM0	J00	T00	-
E262K260	M200015	N00	V00	VN0	E00	EM0	J00	T00	-	M200031	N00	V00	VN0	E00	EM0	J00	T00	-
E262K261	M200016	N00	V00	VN0	E00	EM0	J00	T00	-	M200031	-	-	-	-	-	-	-	W00
E262K262/263/264/265	M200016	N00	V00	VN0	E00	EM0	J00	T00	-	M200032	N00	V00	VN0	E00	EM0	J00	T00	-
G262K001/002/014/016	M200001	N00	V00	VN0	E00	EM0	J00	T00	-	M200005	N00	V00	VN0	E00	EM0	J00	T00	-
G262K128	M200016	N00	V00	VN0	E00	EM0	J00	T00	-	M200031	N00	V00	VN0	E00	EM0	J00	T00	-
G262K129	M200016	N00	V00	VN0	E00	EM0	J00	T00	-	M200032	N00	V00	VN0	E00	EM0	J00	T00	-
G262K155	M200021	-	-	-	-	-	-	-	W00	-	-	-	-	-	-	-	-	-
G262K156	M200015	N00	V00	VN0	E00	EM0	J00	T00	-	M200031	N00	V00	VN0	E00	EM0	J00	T00	-
G262K168	M200021	-	-	-	-	-	-	-	W00	-	-	-	-	-	-	-	-	-
G262K169	M200017	N00	V00	VN0	E00	EM0	J00	T00	-	M200033	N00	V00	VN0	E00	EM0	J00	T00	-
G262K199	M200021	-	-	-	-	-	-	-	W00	-	-	-	-	-	-	-	-	-
G262K236	M200018	N00	V00	VN0	E00	EM0	J00	T00	-	M200033	N00	V00	VN0	E00	EM0	J00	T00	-
G262K237	M200018	N00	V00	VN0	E00	EM0	J00	T00	-	M200034	N00	V00	VN0	E00	EM0	J00	T00	-
8262K006/007/012/015/036/038	M200003	N00	V00	VN0	E00	EM0	J00	T00	-	M200005	N00	V00	VN0	E00	EM0	J00	T00	-
8262K080/086	M200003	N00	V00	VN0	E00	EM0	J00	T00	-	M200005	N00	V00	VN0	E00	EM0	J00	T00	-
8262K130	M200017	N00	V00	VN0	E00	EM0	J00	T00	-	M200033	N00	V00	VN0	E00	EM0	J00	T00	-
8262K134	M200018	N00	V00	VN0	E00	EM0	J00	T00	-	M200033	N00	V00	VN0	E00	EM0	J00	T00	-
8262K138/142/148/152	M200018	N00	V00	VN0	E00	EM0	J00	T00	-	M200034	N00	V00	VN0	E00	EM0	J00	T00	-
8262K168	M200021	-	-	-	-	-	-	-	W00	-	-	-	-	-	-	-	-	-
8262K169	M200017	N00	V00	VN0	E00	EM0	J00	T00	-	M200033	N00	V00	VN0	E00	EM0	J00	T00	-
8262K182/183/184/185/187/188/189	M200008	N00	V00	VN0	E00	EM0	J00	-	-	M200008	N00	V00	VN0	E00	EM0	J00	-	-
8262K199	M200021	-	-	-	-	-	-	-	W00	-	-	-	-	-	-	-	-	-
8262K220/226/230	M200008	N00	V00	VN0	E00	EM0	J00	-	-	M200008	N00	V00	VN0	E00	EM0	J00	-	-
8262K236	M200018	N00	V00	VN0	E00	EM0	J00	T00	-	M200033	N00	V00	VN0	E00	EM0	J00	T00	-
8262K237	M200018	N00	V00	VN0	E00	EM0	J00	T00	-	M200034	N00	V00	VN0	E00	EM0	J00	T00	-

(\*) Ensure that compatibility of materials in contact with fluids is verified.



00167CB-2022/R01  
Availability, design and specifications are subject to change without notice. All rights reserved.

**Magnetic latching version**

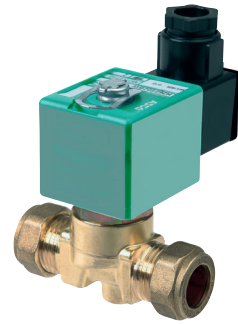
Fluids (*)	Temperature range (TS)	Seal materials (*)
water	0°C to +85°C	EPDM

**Electrical characteristics**

Coil insulation class F (DC)  
Standard voltages DC (=) : 3V - 6V - 9V - 12V

Operator ambient temperature range (TS) (°C)	Power ratings		Replacement coil (1)	
	Hot/cold =		=	
	(W)			
0 to +40	640	641/642/643/644	6 V DC 400927-003	12 V DC 400927-005
	2.5	-	400927-007	400927-014
	-	6		

(1) All coils 400 series are not UL and CSA approved.



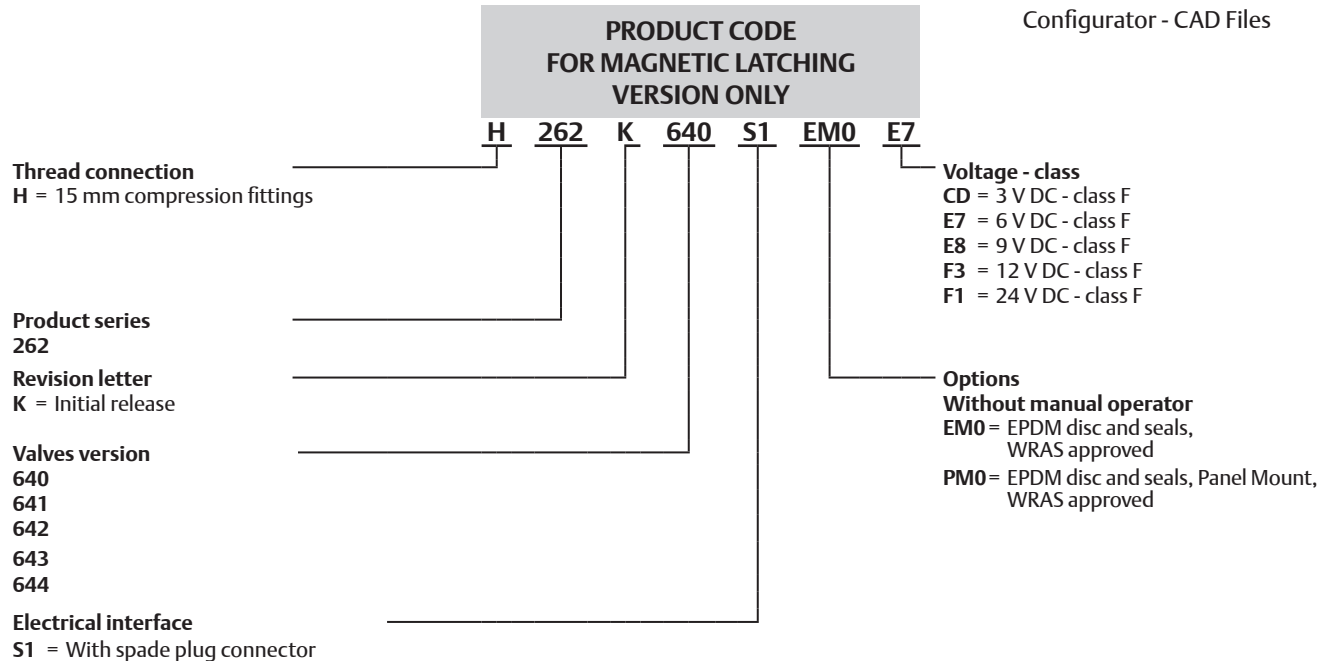
**Specifications**

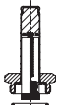
Pipe size	Orifice size (mm)	Flow coefficient Kv (m³/h) (l/min)	Operating pressure differential (bar)		Power coil (W)	Thread type	Dimensions / type (2)	PRODUCT CODE							
			Min.	Max. (PS)				Brass	Voltage code						
				Water (*)					3 V/DC	6 V/DC	9 V/DC	12 V/DC	24 V/DC		
<b>Without manual operator</b>															
<b>EPDM seal and disc</b>															
15 mm compression fittings	1.2	0.05	0.8	0	10	2.5	H	03	H262K640S1EM0						
	2.0	0.15	2.5	0	10	6	H	03	H262K641S1EM0						
	3.2	0.30	5.0	0	3	6	H	03	H262K642S1EM0						
	4	0.45	7.5	0	2	6	H	03	H262K643S1EM0						
	6.7	0.82	13.7	0	0.7	6	H	03	H262K644S1EM0						

(2) For dimensions, see drawing(s) for each construction type on the following page(s).

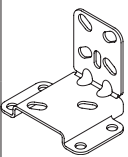
(\*) Ensure that compatibility of materials in contact with fluids is verified.

Configurator - CAD Files



Spare parts kits no. (*)	
DC (=)	
EPDM (+ WRAS)	
 H262K640 / H262K641 H262K642 / H262K643 H262K644	<b>M200001</b> <b>EMO</b>

(\*) Ensure that compatibility of materials in contact with fluids is verified.

		Accessories code
	Mounting bracket Steel version (AISI 1010 / 1.1121)	M200094A00
	Mounting bracket Stainless steel version (AISI 304 / 1.4301)	M200095A00

## Installation

- The solenoid valves can be mounted in any position without affecting operation
- Solenoid valves have 2 mounting holes in body
- Thread connection “E” applicable for 1/4 have standard thread according to ISO 228/1 and ISO 7/1.
- Thread connection “G” applicable for 1/8, have standard thread according to ISO 228/1
- Thread connection “H” have standard thread = NPT (SAE 71051)
- Thread connection “H” have 1/2” male ‘G’ thread according to BS 2779 plus cap-nut and olive
- Installation/maintenance instructions are included with each valve

## Dimensions (mm), Weight (kg)

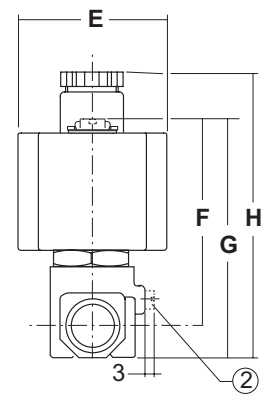
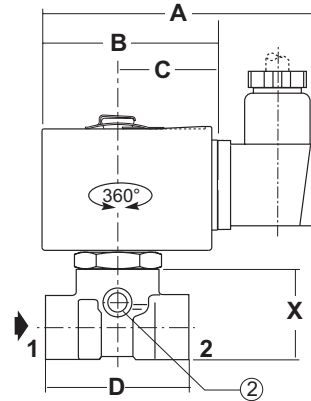
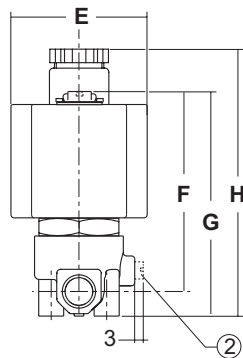
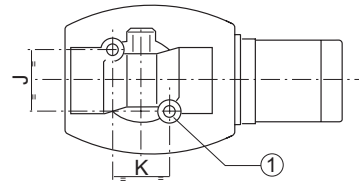
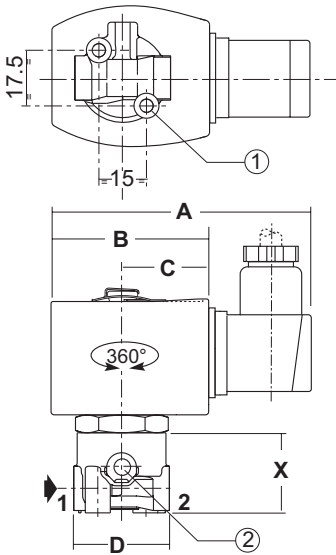
Configurator - CAD Files



**TYPE 01**  
Electrical interface “S1”  
Epoxy moulded  
IEC 335 / ISO 4400  
IP65

1/8”, power coil 8.1 W / 10.6 W and 11.1 W / 18.6 W

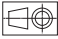
1/4”, power coil 8.1 W / 10.6 W and 11.1 W / 18.6 W



Type	Pipe size	A	B	C	D	E	F	G	H	X	Weight <sup>(1)</sup>
01	1/8”	88	51	30	30	43	62	71	88	26	0.30
	1/4”	88	51	30	40	43	65	75	92	30	0.42

- ① 2 mounting holes:  
M5 dia., depth 6.5 mm (1/8)  
M5 dia., depth 7.5 mm (1/4)
- ② Manual operator location

<sup>(1)</sup> Incl. coil(s) and connector(s).

**Dimensions (mm), Weight (kg)** 

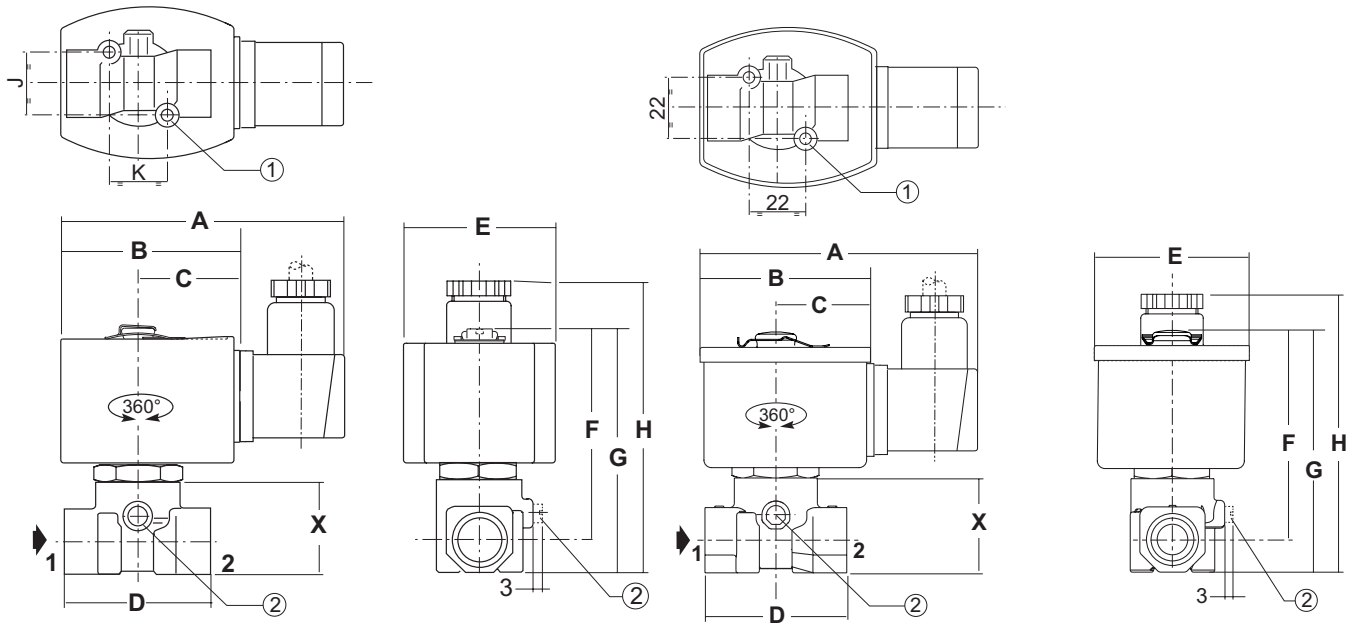
Configurator - CAD Files



**TYPE 02**  
Electrical interface "S1"  
Epoxy moulded  
IEC 335 / ISO 4400  
IP65

NC: 1/4", power coil 10.1 W / 11.6 W and 17.1 W / 22.6 W

NO: 1/8"-1/4", power coil 10.1 W / 11.6 W



Type	Pipe size	A	B	C	D	E	F	G	H	J	K	X	Weight <sup>(1)</sup>
02	1/8" (NO)	96	59	34	30	52	67	75	88	17.5	15	26	0.50
	1/4" (NC)	95	57	33	40	50	69	78	96	22	22	30	0.60
	1/4" (NO)	96	59	34	40	52	69	78	96	22	22	30	0.62

- ① 2 mounting holes:  
M5 dia., depth 7.5 mm  
(1/4")
- ② Manual operator location.

<sup>(1)</sup> Incl. coil(s) and connector(s).

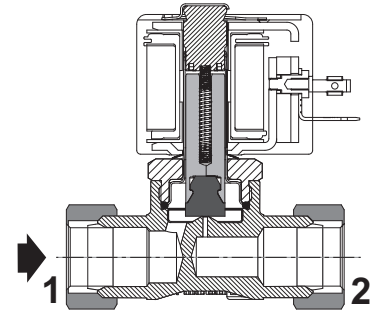
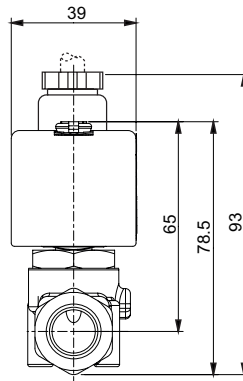
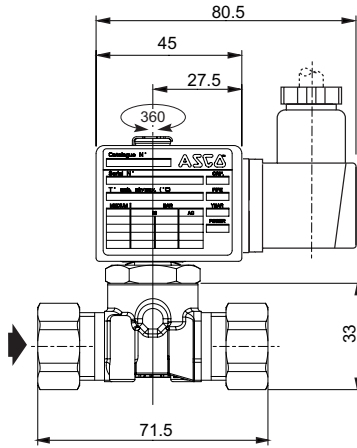
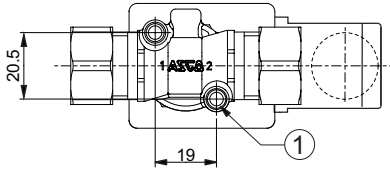


**Dimensions (mm), Weight (kg)**



**TYPE 03**  
Electrical interface "S1"  
Epoxy moulded  
IEC 335 / ISO 4400  
IP65

**Magnetic latching coil 2.5 W / 6 W**

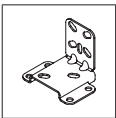


Magnetic Latching version

① 2 mounting holes:  
190-24 UNC-2B, depth 6 mm

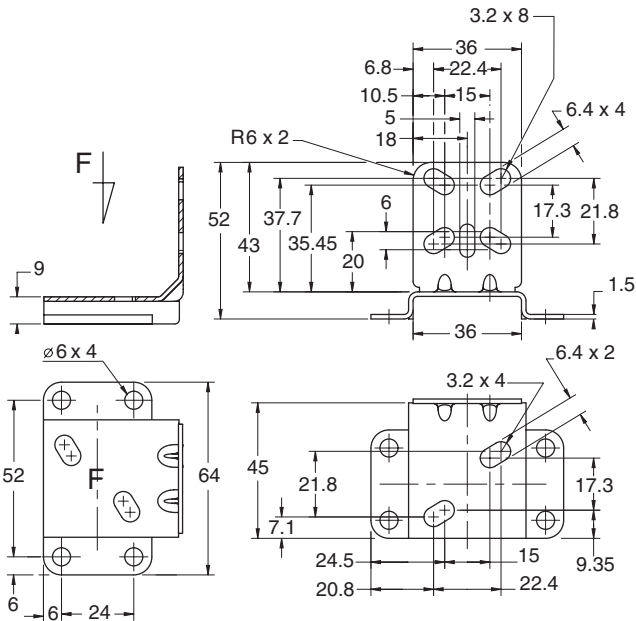
Weight <sup>(1)</sup>
0.45

<sup>(1)</sup> Incl. coil(s) and connector(s).



**Mounting bracket**  
Steel or stainless steel

**M200094A00 / M200095A00**



00167CB-2022/R01  
Availability, design and specifications are subject to change without notice. All rights reserved.