



SEQUENCERS FOR DUST COLLECTOR SYSTEMS

without internal ΔP pressure sensor
for the control of up to 48 solenoid valves



Series
E909

FEATURES

- Electronic controller for the control of solenoid valves in dust collector systems
- ON/OFF filter cleaning cycle from external switch
- Microprocessor management
- Supply and output voltage selectable via jumper
- 3 programming keys
- 3 digit LED display
- Adjustable pulse and interval times
- Automatic detection of number of valves
- Additional post-cleaning cycle mode
- High immunity from external interference
- Short-circuit protection of every single output
- 1 output relay (e.g. group alarm), 2 digital inputs (volt-free)

CONSTRUCTION

Housing ABS (acryl nitrile butadiene styrene), grey
Cover PC (polycarbonate), transparent



ELECTRICAL CHARACTERISTICS

Standard supply voltage AC (~) 230/115 V

Output voltage DC (=) 24 V

Other voltages on request.

max. load power per output (W)	ambient temperature (°C)	electrical enclosure protection
25	-10 to 60	IP65

SPECIFICATIONS

number of solenoid valves	adjustable pulse time	adjustable interval time	size	catalogue numer
	sec.	sec.		
4	0,05 - 5,0	1 - 999	1	E909PB4MU1.2
8				E909PB8MU1.2
12			2	E909PB12MU1.3
16				E909PB16MU1.3
20			3	E909PB20MU1.5
24				E909PB24MU1.5
28				E909PB28MU1.5
32				E909PB32MU1.5
36			4	E909PB36MU1.6
40				E909PB40MU1.6
44				E909PB44MU1.6
48				E909PB48MU1.6

60300GB-2016/R01
Availability, design and specifications are subject to change without notice. All rights reserved.

OPTIONS (on request)

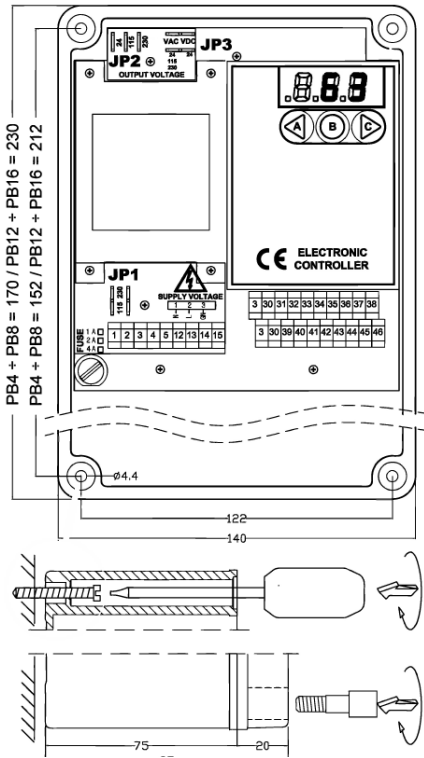
- Other voltage ratings, other housings and devices with ATEX approval

INSTALLATION

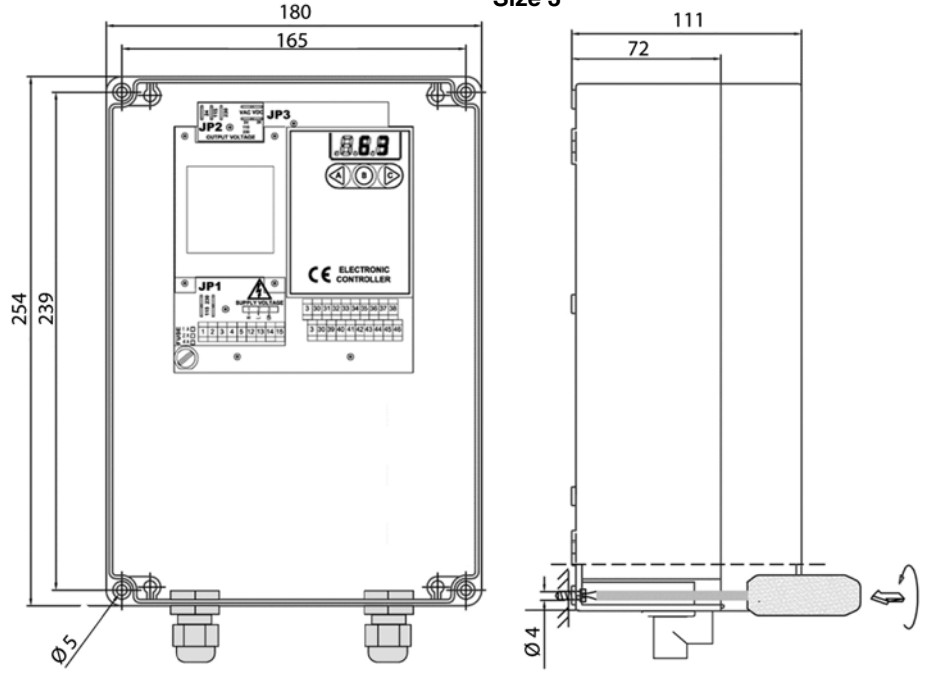
- Installation/maintenance instructions are included with each sequencer

DIMENSIONS (mm), WEIGHTS

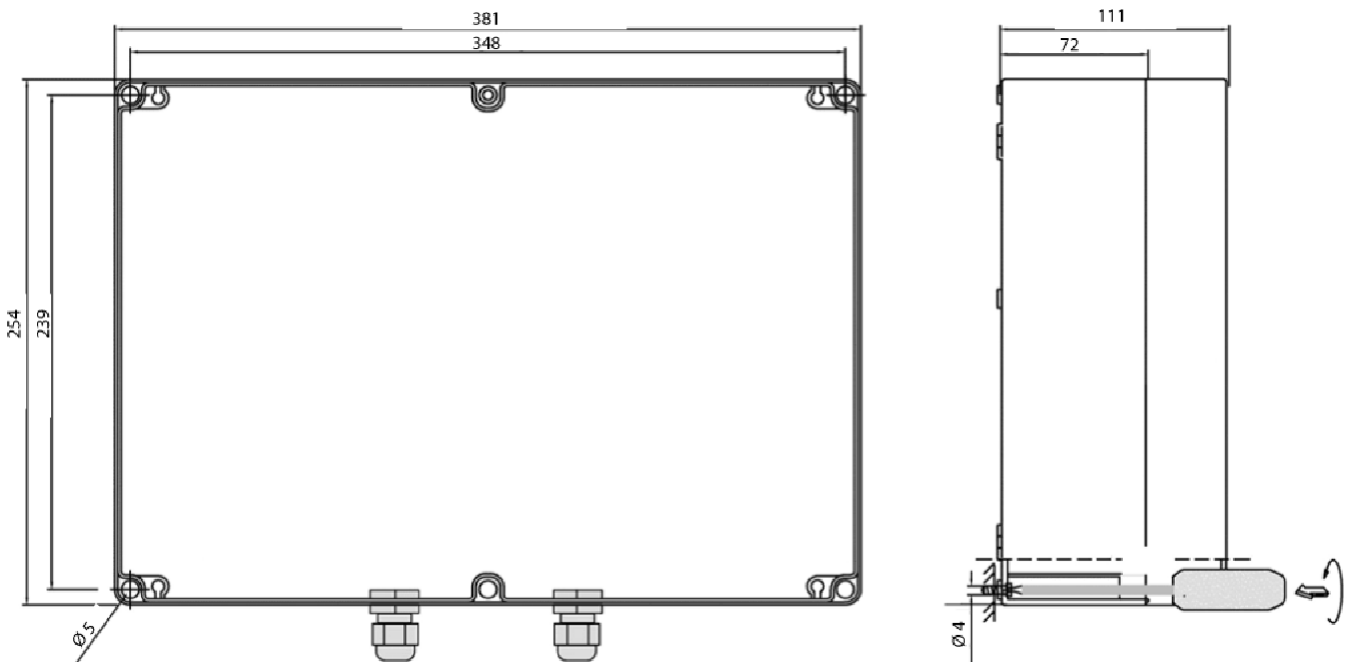
Sizes 1 and 2



Size 3



Size 4



WIRING DIAGRAM

